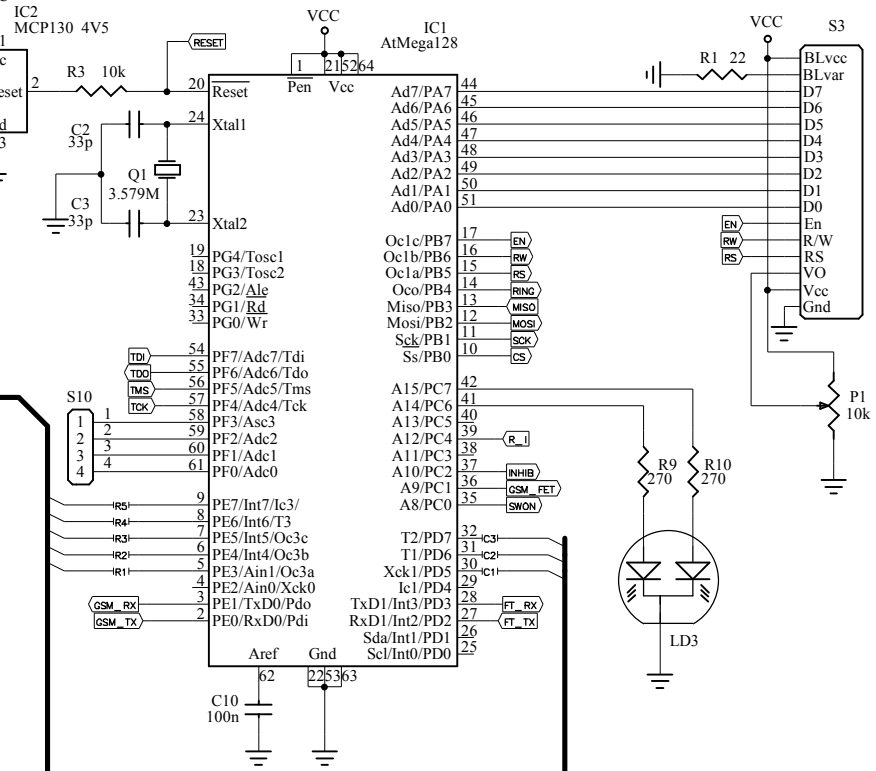
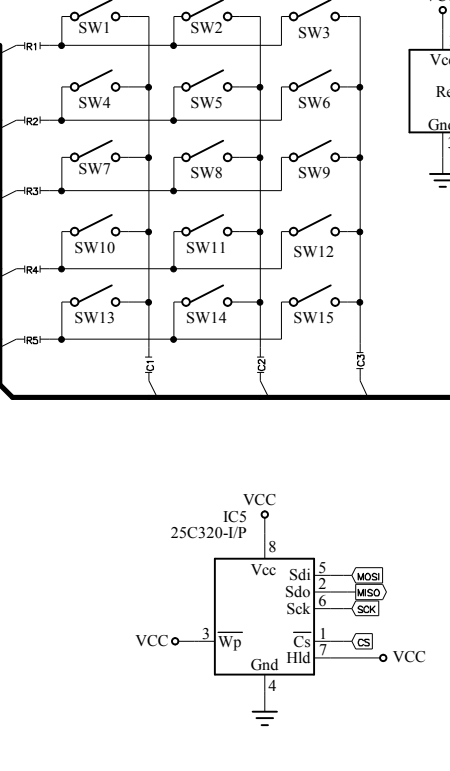
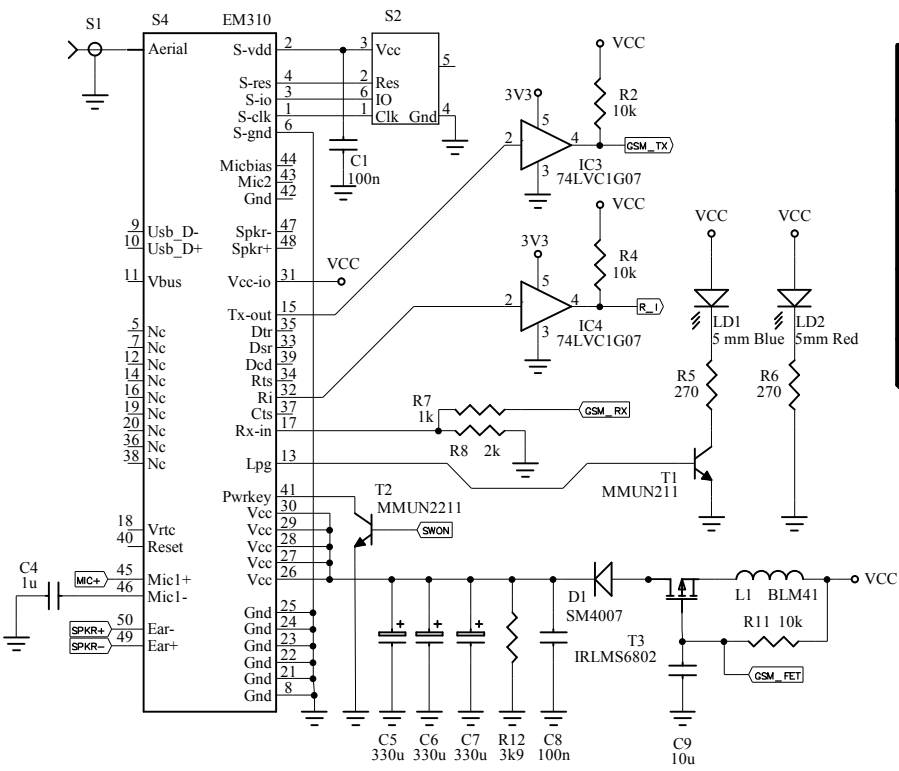
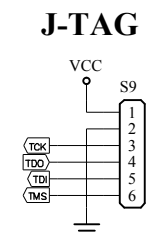
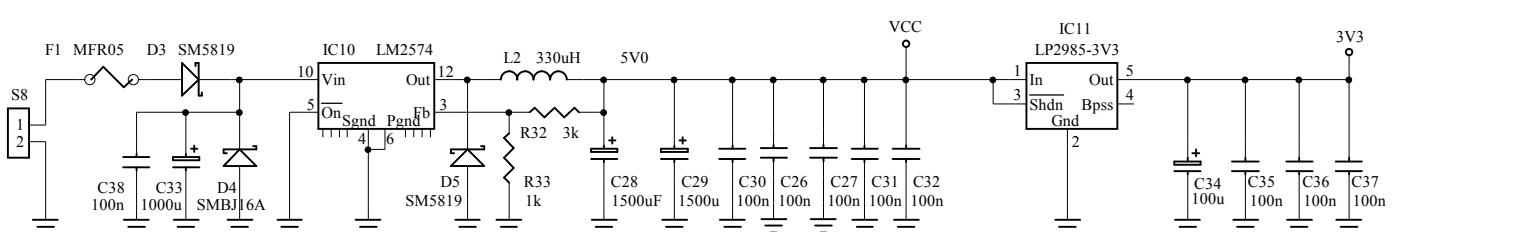
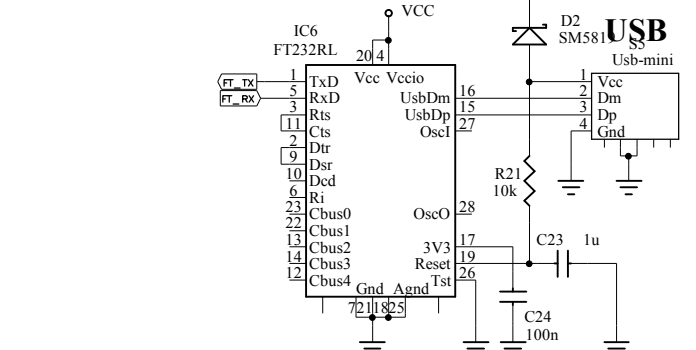
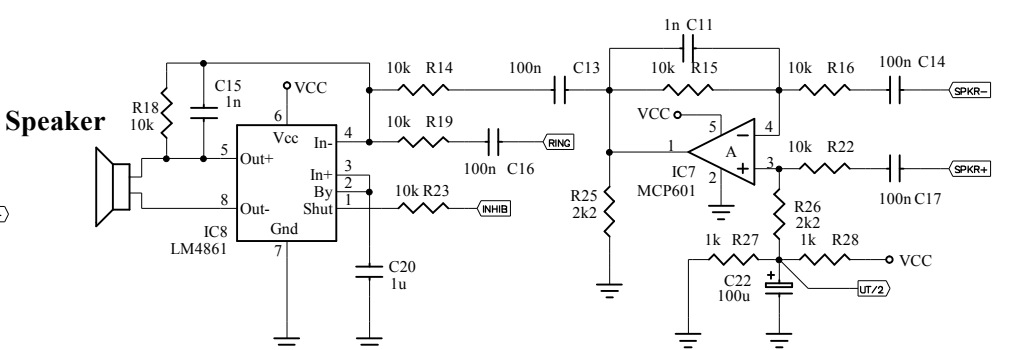
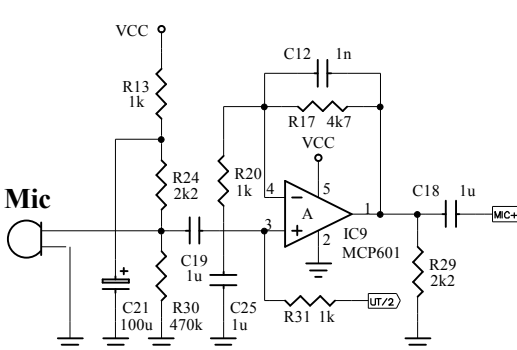


# GSM



# LCD 4x16 chr



Title			The myPhone project v.1		
Size	Number	Rev			
Main board and display board		1.04			
Date	Sat Nov 23, 2013	Drawn by		akaspasztor	
Filename	My_phone-1.sch	Sheet		1 of 2	