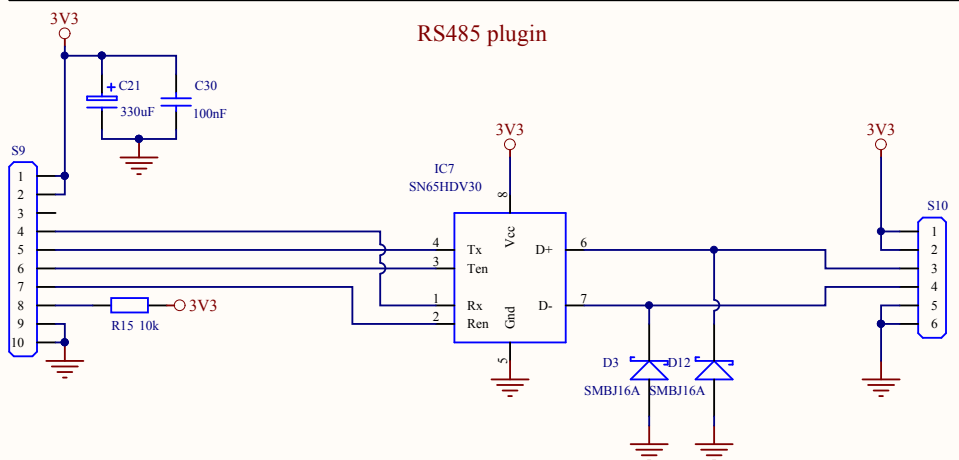
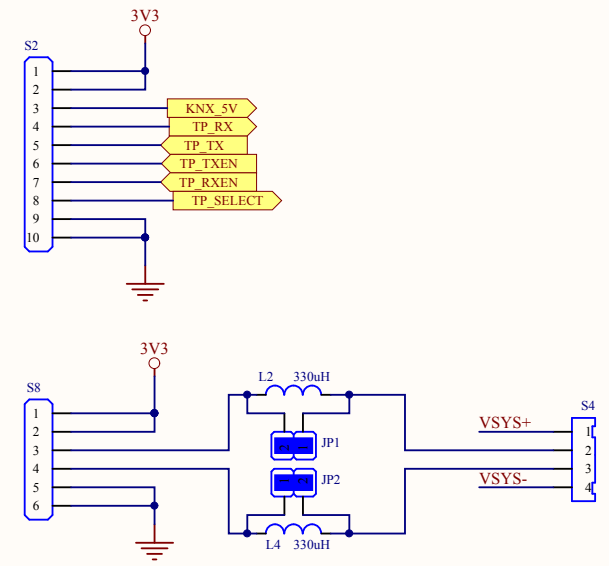
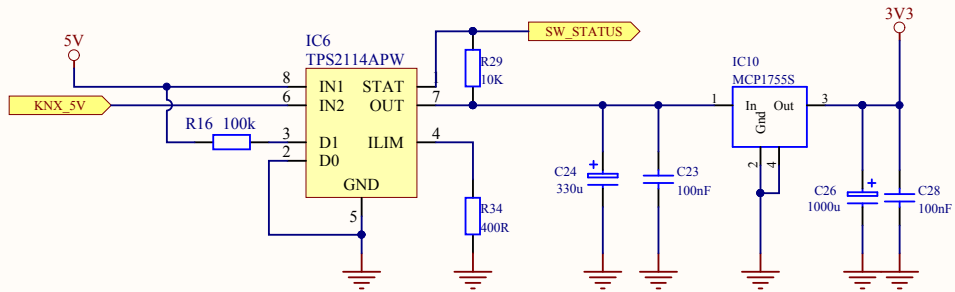
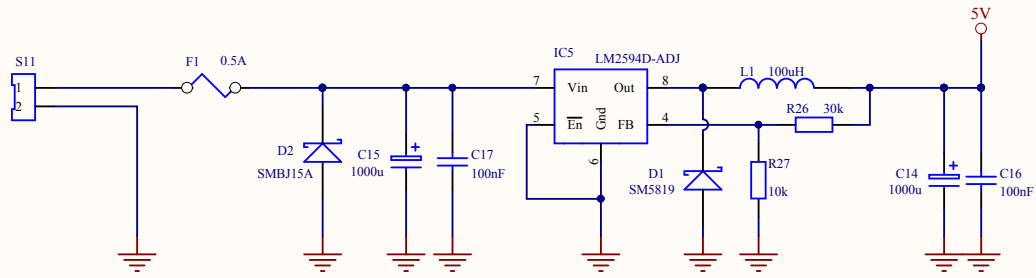


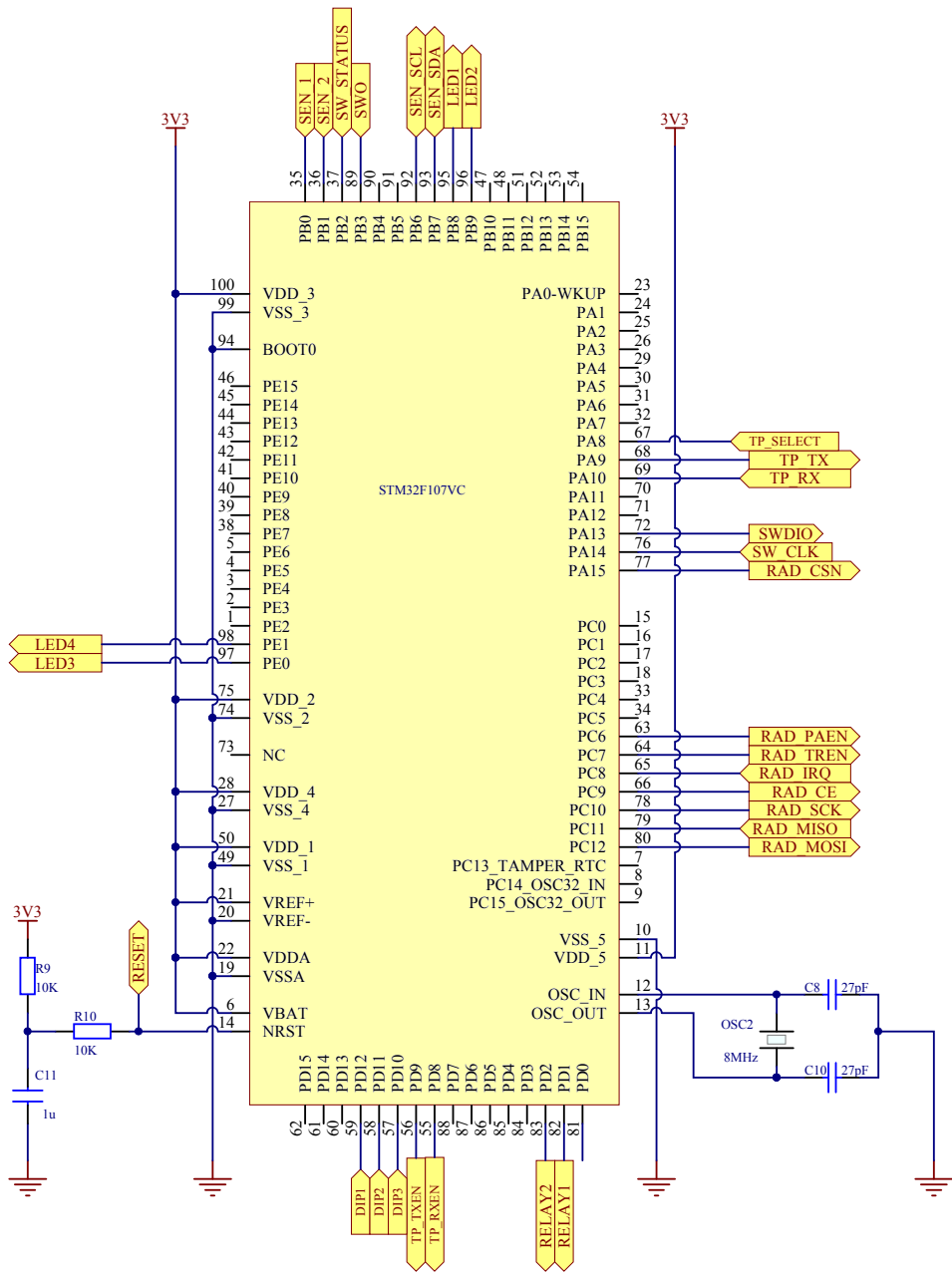
### Plugin Connector



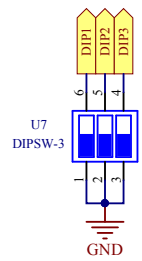
Title		
Size	Number	Revision
A4		
Date:	2014.09.02.	Sheet of
File:	D:\Altium\...\schematic_plugin.SchDoc	Drawn By:



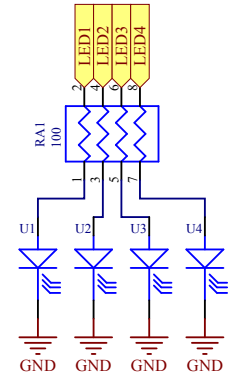
Title		
Size	Number	Revision
A4		
Date:	2014.09.02.	Sheet of
File:	D:\Altium\...\schematic_power.SchDoc	Drawn By:



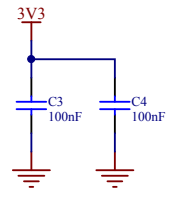
### SWITCH



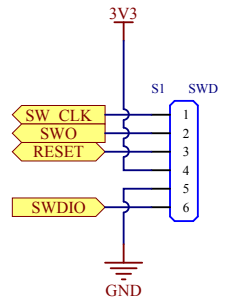
### LEDS



### Near-Chip CAPs

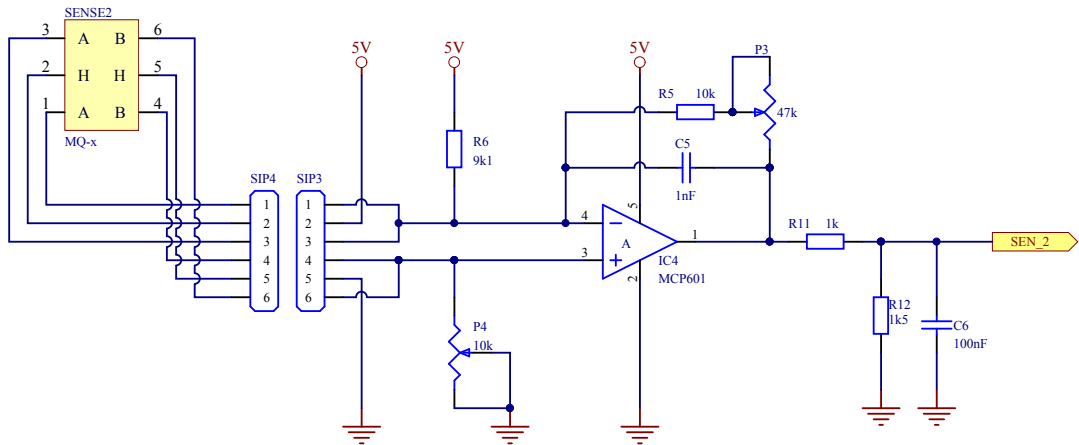
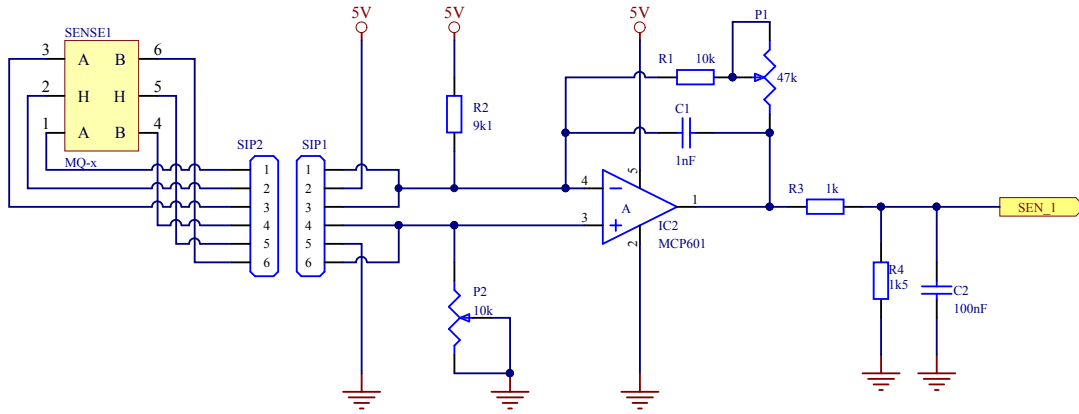


### SWD

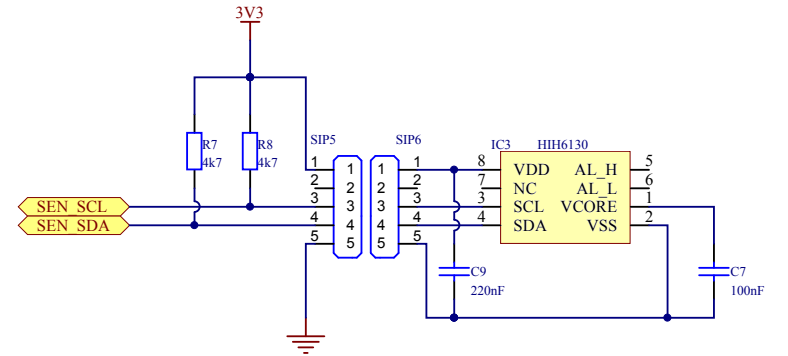


Title		
Size	Number	Revision
A4		
Date:	2014.09.02.	Sheet of
File:	D:\Altium\...\schematic1.SchDoc	Drawn By:

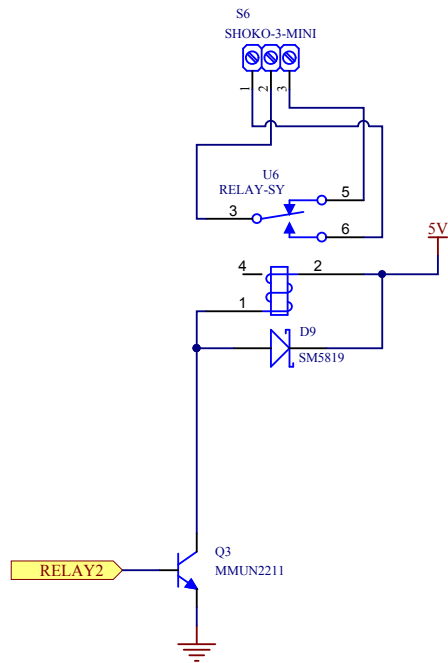
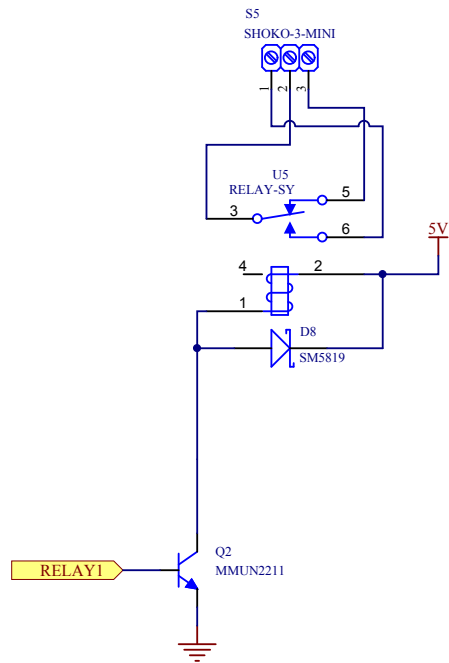
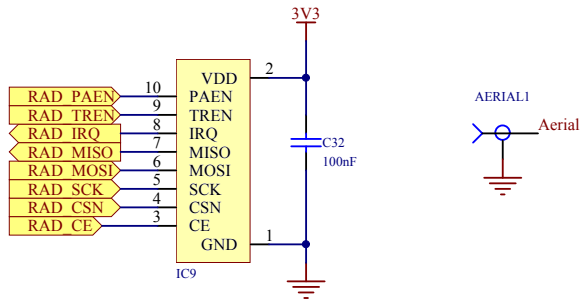
# SENSORS



# TEMP & HUMID



Title		
Size	Number	Revision
A4		
Date:	2014.09.02.	Sheet of
File:	D:\Altium\...\schematic2.SchDoc	Drawn By:



Title		
Size	Number	Revision
A4		
Date:	2014.09.02.	Sheet of
File:	D:\Altium\...\schematic3.SchDoc	Drawn By: