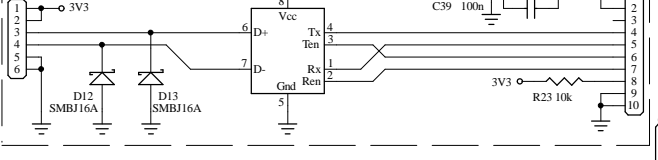
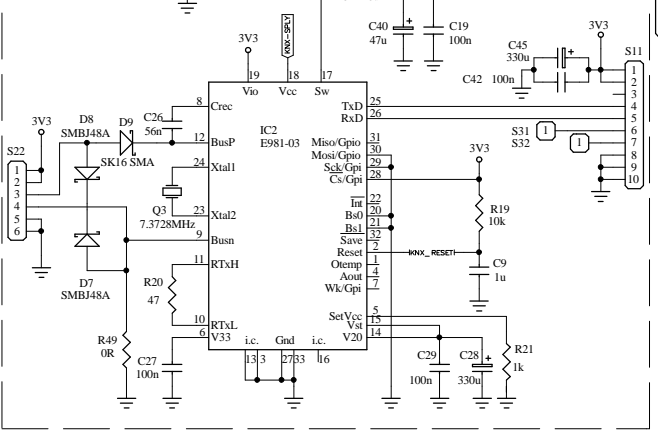


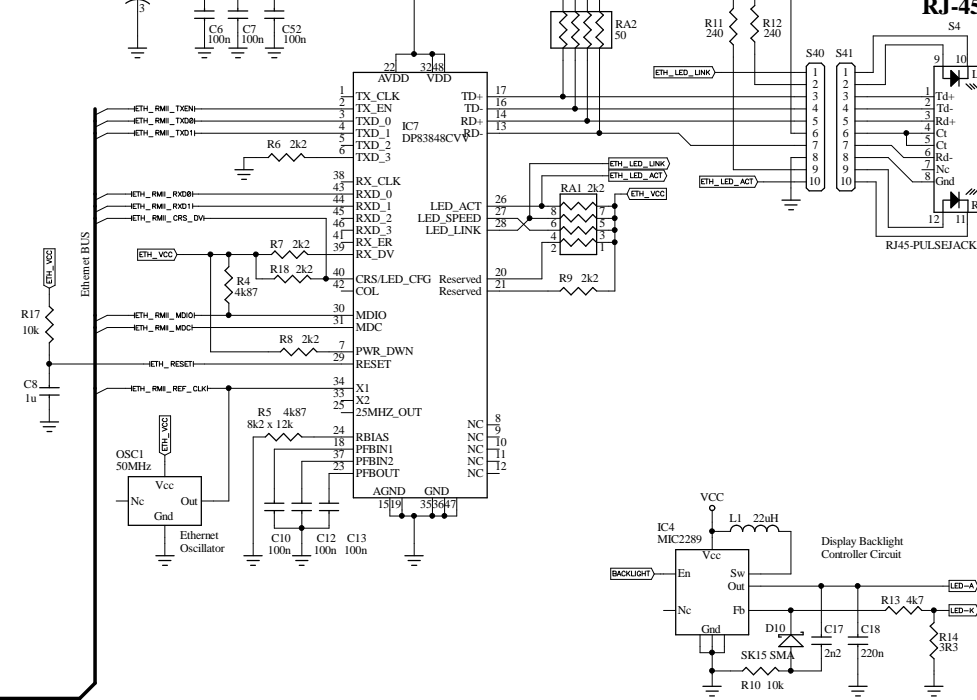
### RS-485 plugin



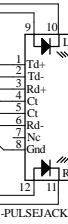
### KNX plugin



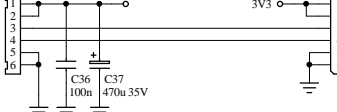
### Ethernet



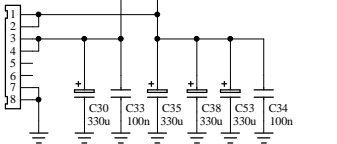
### RJ-45



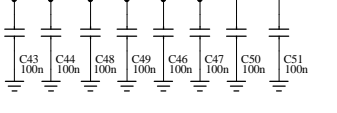
### KNX / RS485 bus & supply to PS. board



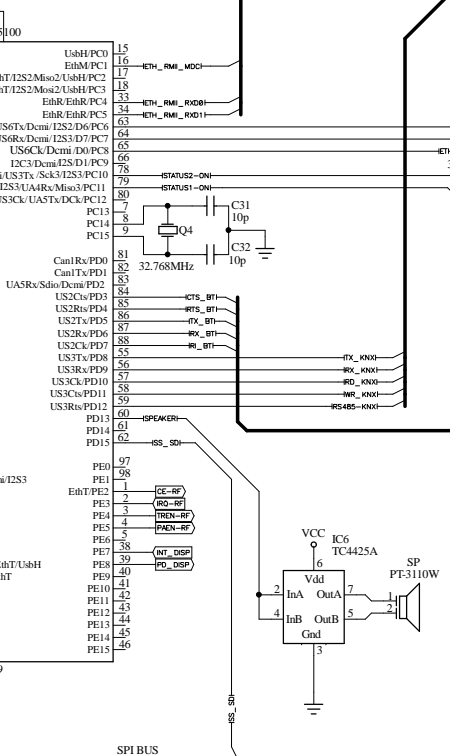
### Power Supply from PS. board



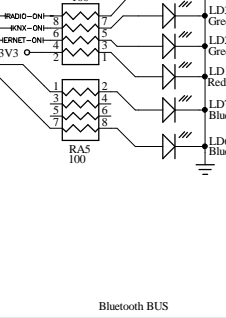
### Near-chip capacitors



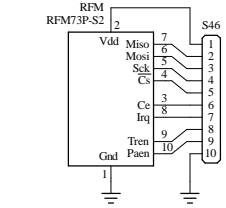
### Microcontroller



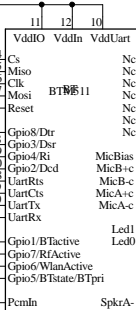
### Bluetooth



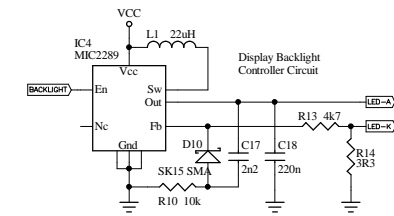
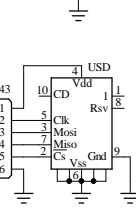
### 2,4GHz Radio



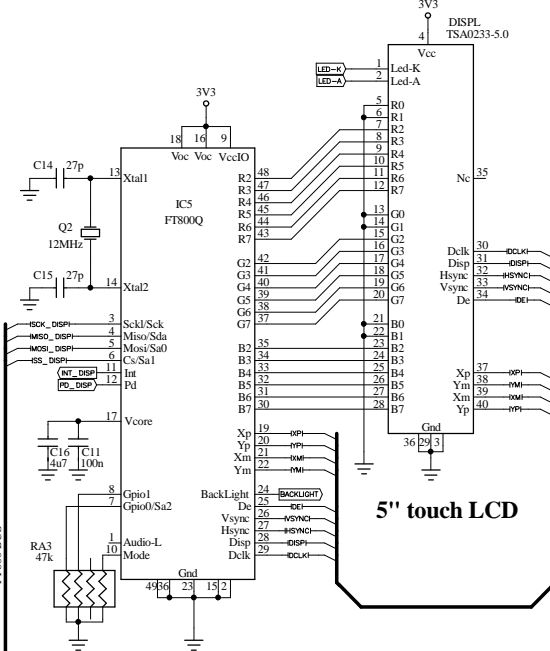
### Bluetooth



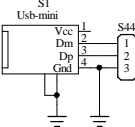
### uSD Card



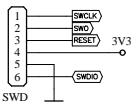
### 5" touch LCD



### USB



### SWD



Title		<b>Home Control System</b>	
Size	Number	Rev	
		<b>Main board 2.03</b>	
Date	July 24, 2014	Drawn by Akos	
Filename	hc-203-main.sch	Sheet 1 of 1	